



DIMENSIONS

42" x 42" x 33" (1067 x 1067 x 838mm)
Gallon to Overflow = 78 (Liters = 295)

MATERIAL

Interior: Acrylic
Exterior: Polymer Composite

TUB FLOOR

Textured

UNDERMOUNT: NO

This tub is not designed for undermount installation.

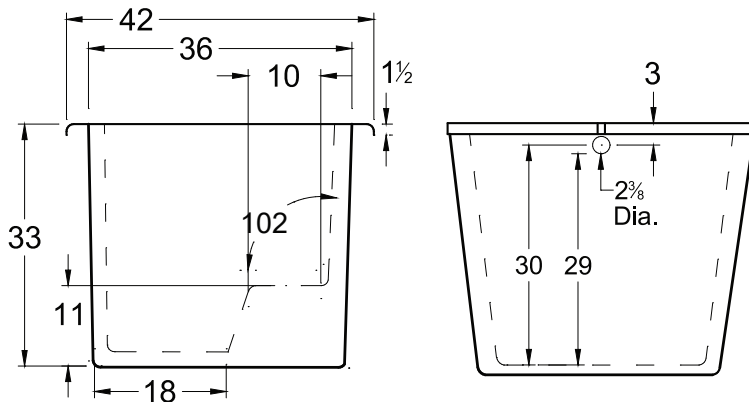
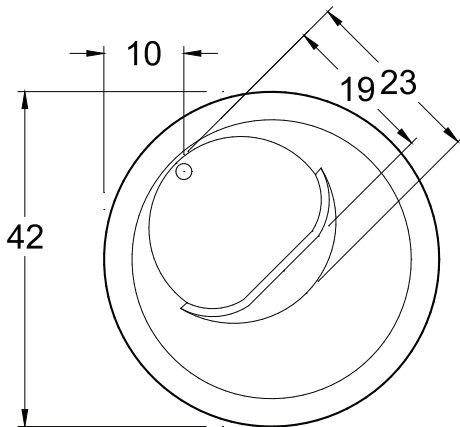
APPROVALS & COMPLIANCE

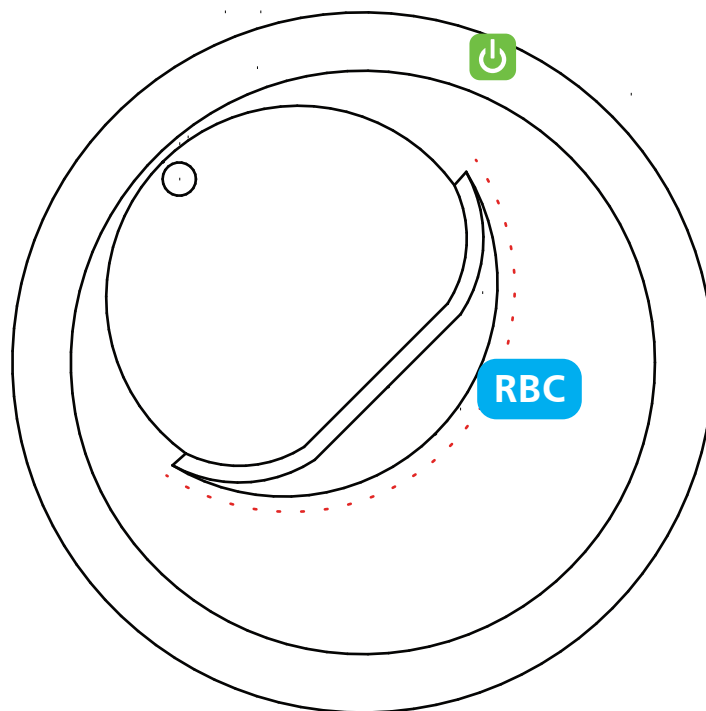


Americh products meet or exceed the following standards:

- Underwriters Laboratories (UL)
- Underwriters Laboratories - Canada (cUL)
- ANSI Z124.1 • ANSI A112-19.7
- ANSI A112.19.8

Contact Americh for additional approvals.





Airbath System II
Blower must be remotely located

LEGEND



ON/OFF Control



Remote Blower
Connection

STANDARD EQUIPMENT

- PVC Waste & Overflow with Polished Chrome trim
Available with polished brass, polished nickel, satin nickel, oil rubbed bronze or white trim at no additional charge if specified at the time of order. Requests after order is shipped are subject to an up-charge.

OPTIONAL ACCESSORIES

- Chromotherapy
- Dual Color
- Pillow: 12"
- TCS (Thermal Comfort System)

INSTALLATION TIPS

- Install according to Owner's Manual and local codes.
- Always consult your local plumber for recommendations as installations will vary.
- The bath must be secured to the floor by applying a bead of silicone around the base (which can be cut in future should there be a need to access to the plumbing).
- Installation must be carried out according to the manufacturer instructions.
- Hot water supply should be 65-75% of tub capacity or greater.

ELECTRICAL REQUIREMENTS

Americh recommends one 20 amp ground fault circuit interrupter (GFCI) for each power supply provided with the bathtub.